

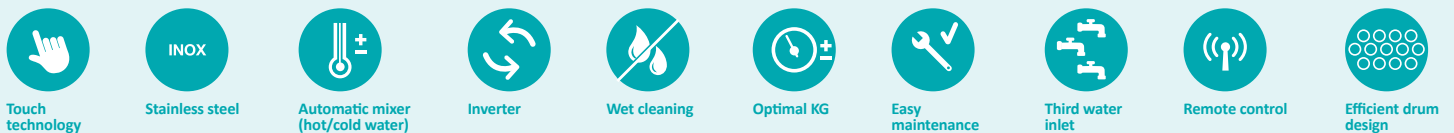
HIGH SPIN WASHER

EFFICIENCY IN WASHING

Features

LS-45-62-125 T

- High spin washer extractor. No need to be anchored to the floor.
- G Force **350**.
- Body, drum and tub in stainless steel.
- Detergent dispenser with 5 compartments
- 8 signals for automatic liquid dosing, programmable in time and delay.
- 3 water inlets.
- These machines have electronic control of imbalance with frequency inverter, that detects the unbalanced load before spinning. Standard frequency: 50- 60 Hz.
- New microprocessor with touch screen. 26 preset programs.
- Possibility of programming, exporting and importing programs without limit, software updates, through USB port, using USB drive.
- Traceability standard: All washing process (temperatures, water levels) is stored in the washer and can be extracted to a PC by means of a USB drive.
- RS-485 serial communication port for monitoring / remote management.
- Wet Cleaning standard in the microprocessor: fully adjustable water levels and washing speed for delicate.
- LOADING AID feature with water and rotation control for easy loading of the linen.
- CE and GOST approved product.



Emissions
CO₂/carbon
footprint



Energy
efficiency



Minimum
consumption
of water



Low chemical
consumption

Options

- Double drain kit, allow the recovery of the water, with important water savings.
- Bottom cover for washers.
- Relay card with 6 extra dosing signals: total of 14 signals in the machine.
- Tilting system - both forwards and backwards for an easy loading / unloading in models LS-62 and LS-125.
- Optimal Kg. Weighing sensor system on feet. Not available with tilting system.
- Steam kit to transform an electric or hot water heated machine into steam version. Models LS-45 and LS-62.

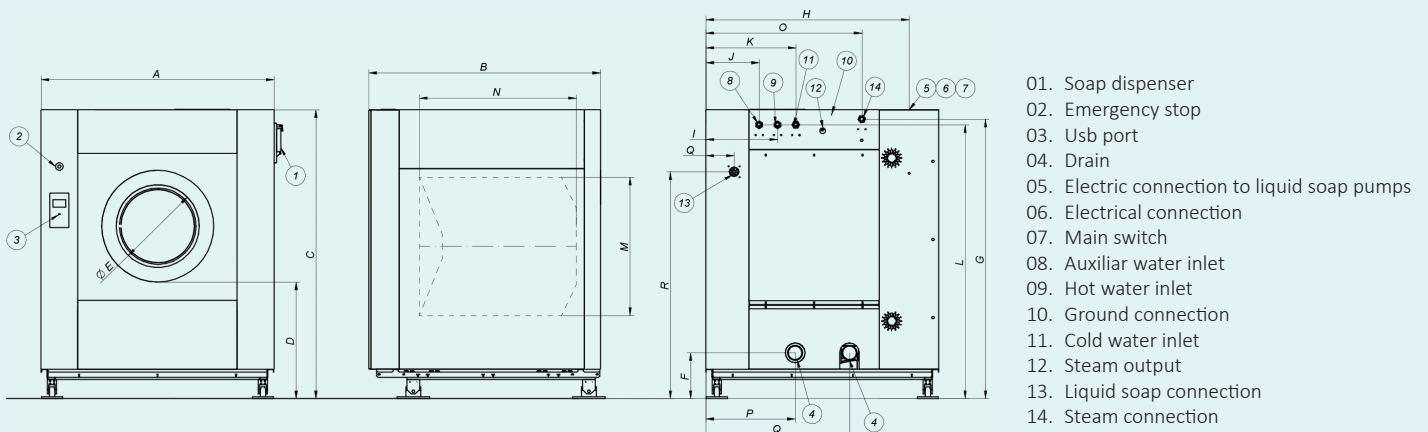
- Double heating electric-steam kit for models LS-45 and LS-62.
- Water inlet kit for models LS-45 and LS-62.
- Voltage 230 V III 50/60 Hz.
- Ship voltage for electric models: 440V III 50/60 Hz No neutral or 480V III 50/60 Hz No neutral.



Automatic weighing
system (optional)

TECHNICAL DATA	UNIT.	LS-45 T	LS-62 T	LS-125 T				
DRUM								
Load capacity 1:9 / 1:10	Kg	50/45	67/60	133/120				
Volume	l	450	600	1.200				
Diameter	mm	918	1.048	1.360				
Depth	mm	720	684	840				
GENERAL DETAILS								
Washing speed	r.p.m.	42,5	38	34				
Spining speed	r.p.m.	850	760	680				
G Factor	-	350	350	350				
Maximum force transmitted	KN	13,5 ±3,5	14 ±4,2	39 ±5,25				
Frequency-dynamic force	Hz	14,1	12,66	11,33				
Sound level	dB	70	70	70				
Double drain	-	Opt	Opt	Opt				
Weighing System / Tilting System	-	Opt	Opt	Opt				
DOOR								
Height center door / Height door	mm	1.118/756	1.118/756	1.330/900				
Diameter	mm	560	560	700				
POWER								
Motor	kW	7,5	11	15				
Heating (Electric model)	kW	28,8	36	No				
Max. power (Electric model)	kW	31,3	40	No				
Max. power (steam and hot water)	kW	7,5	11	15				
CONNECTIONS		ELECTRICAL	HOT WATER	STEAM	ELECTRICAL	HOT WATER	STEAM	STEAM / HOT WATER
Tension 230V- III + T	Nº x mm2 / A	4 x 25 / 80A	4 x 4 / 32A	4 x 2,5 / 20A	4 x 25 / 100A	4 x 6 / 40A	4 x 4 / 32A	4 x 10 / 50A
Tension 400V- III + N + T	Nº x mm2 / A	5 x 10 / 50A	5 x 2,5 / 20A	5 x 1,5 / 16A	5 x 16 / 63A	5 x 4 / 25A	5 x 2,5 / 20A	5 x 4 / 32A
Steam inlet (Steam mod.)	inch	3/4"		3/4"		1-1/4"		
Maximum steam consumption (Steam mod.)	Kg/h	19		21		26,5		
Water inlet	inch	1"		1"		1-1/2"		
Water main pressure	Kgs/cm ²	2-4		2-4		2-4		
Maximum water consumption*	Lit/h	473		633		1.254		
Drain	mm/inch	3"		3"		4"		
Drainage capacity	Lit/min	200		200		500		
DIMENSIONS / PACKING DIMENSIONS								
Width / Width	mm	1.478/1.540			1.478/1.540			1.836/1.900
Depth / Depth	mm	1.425/1.580			1.425/1.580			1.863/1.940
Height / Height	mm	1.905/1.970			1.905/1.970			2.245/2.290
Net weight / Gross weight	kg	1.350/1.420			1.400/1.520			3.950/4.100
Volume	m ³	4,79			4,79			8,44

* Nº2 Program, 100% load



	A	B	C	D	E	F	G	H	I	J	K	L	M	N	O	P	Q	R
LS-45 T	1.478	1.425	1.905	755	560	295	1.790	1.200	500	360	640	1.790	920	720	1.065	765	975	1.445
LS-62 T	1.478	1.425	1.905	755	560	295	1.790	1.200	500	360	640	1.790	1.050	685	1.065	765	975	1.445
LS-125 T	1.836	1.863	2.245	900	700	335	2.115	1.515	640	500	780	2.115	1.360	840	1.245	735	1.150	1.745



Primer

info@primer.es

www.primer.es

www.primerlaundry.com